

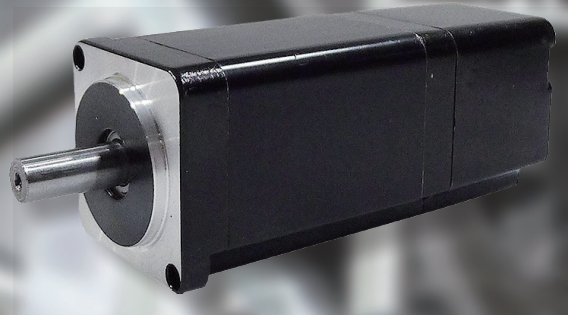
AC Servo Motors

交流伺服电机



AC Servo Motors

交流伺服电机



3X MOTION AC Servo Motors are widely used in such diverse market areas as textiles machines and automation/robotic applications.

Customisation Options:

Shaft Extensions

All motors can be supplied with custom shaft where dimensions can be modified to customer demand.

Connections

All motors are supplied with lead wire, typical connector or plug-in connector.

Encoders

All motors can be supplied on request with a variety of encoder options and resolutions.

Components

We have Cooling fan, Brake, Thermal Protector for your choice.

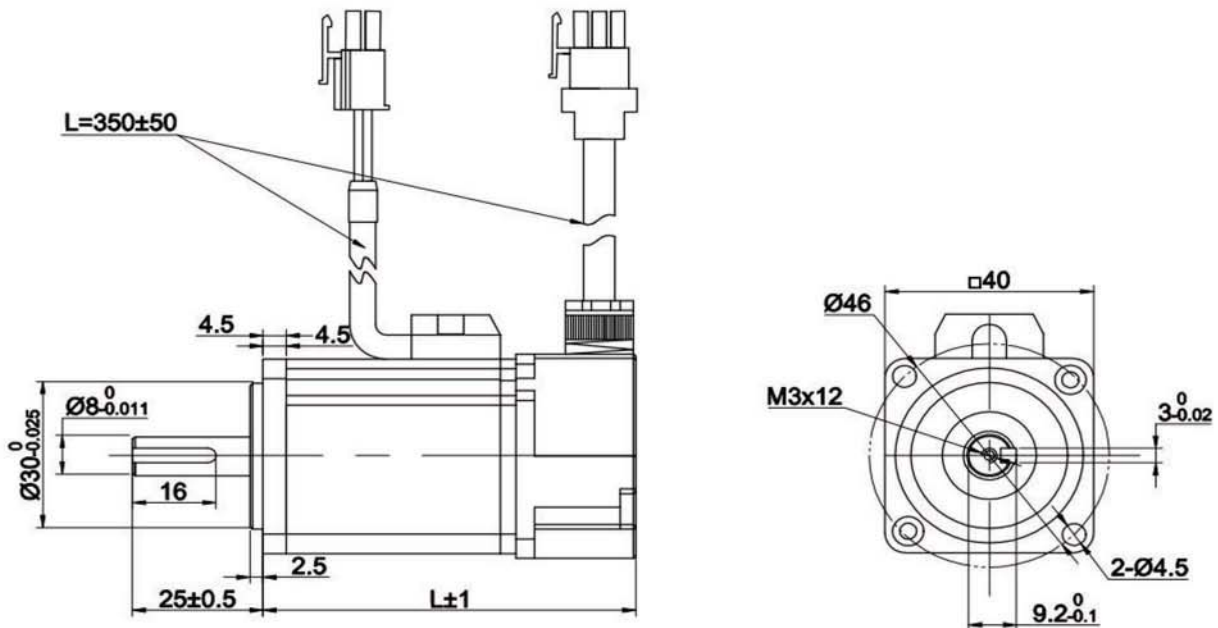
40SA Series



Performance Data

| Model 型号 | Units | 40S00230B3系列 | 40S00330B3系列 | 40S00230B5系列 | 40S00330B5系列 |
|-----------------------------|--------------------|------------------------------|--------------|------------------------------|--------------|
| Poles 极对数 | / | 5 | 5 | 5 | 5 |
| Rated Voltage 额定电压 | VAC/VDC | 220VAC | | 48VDC | |
| Rated Power 额定功率 | W | 50 | 100 | 50 | 100 |
| Rated Torque 额定力矩 | N.m | 0.16 | 0.32 | 0.16 | 0.32 |
| Rated Speed 额定转速 | rpm | 3000 | 3000 | 3000 | 3000 |
| Maximum Torque 最大力矩 | N.m | 0.48 | 0.96 | 0.48 | 0.96 |
| Maximum Speed 最大转速 | rpm | 6000 | 6000 | 4500 | 4500 |
| Rated Current 额定电流 | A | 0.6 | 0.8 | 1.4 | 2.8 |
| Maximum Current 最大电流 | A | 1.8 | 2.4 | 4.2 | 8.4 |
| Torque Coefficient 扭矩常数 | N.m/A | 0.29 | 0.42 | 0.12 | 0.12 |
| Rotor Inertia 转子惯量 | Kg*cm ² | 0.05 | 0.08 | 0.05 | 0.08 |
| Back E.M.F 反电势常数 | V/Krpm | 17.5 | 22.5 | 7.4 | 7.4 |
| Insulation Class 热绝缘等级 | Class | F | | F | |
| Safety Class 防护等级 | / | IP65(出轴端除外) | | IP65 (出轴端除外) | |
| Encoder Type 编码器类型 | / | 增量式或绝对值编码器 | | 增量式或绝对值编码器 | |
| Environment 运行环境 | / | -20°C to 40°C humidity < 90% | | -20°C to 40°C humidity < 90% | |
| Weight 重量 | Kg | 0.39 | 0.52 | 0.39 | 0.52 |
| Brake Rated Voltage 抱闸额定电压 | VDC | 24 | 24 | 24 | 24 |
| Without Brake Length 不带抱闸长度 | mm | 69.5 | 87.5 | 69.5 | 87.5 |
| With Brake Length 带抱闸长度 | mm | 99 | 117 | 99 | 117 |

Dimensions in mm



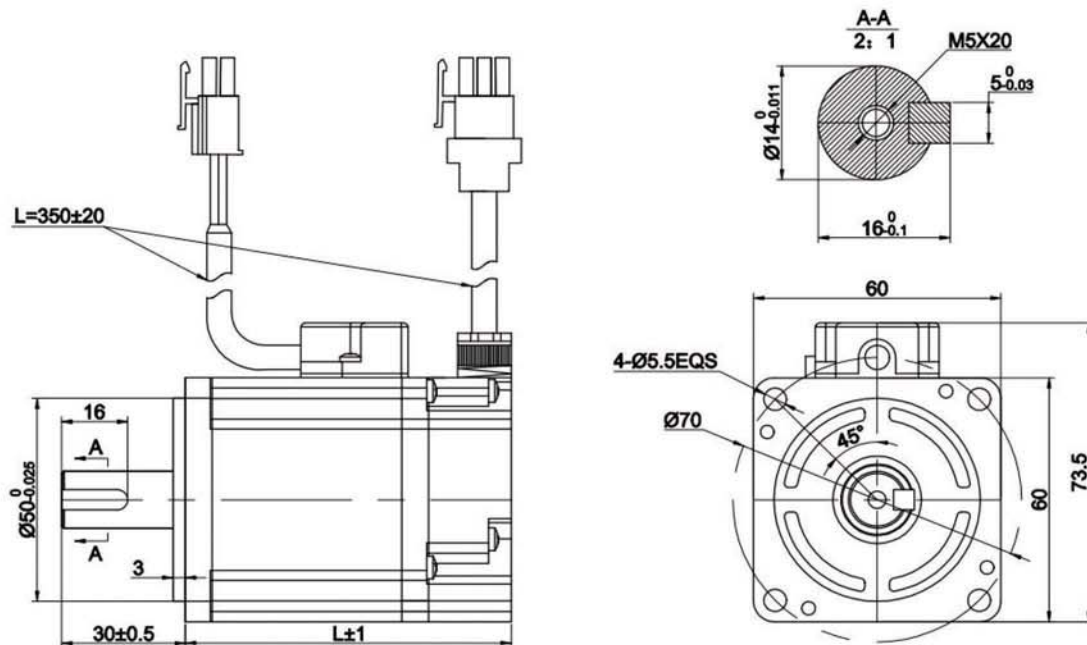
60SB Series



Performance Data

| Model | Units | 60S00730B3系列 | 60S01330B3系列 | 60S00730B5系列 | 60S01330B5系列 |
|-----------------------------|--------------------|------------------------------|--------------|------------------------------|--------------|
| Poles 极对数 | / | 5 | 5 | 5 | 5 |
| Rated Voltage 额定电压 | VAC/VDC | 220VAC | | 48VDC | |
| Rated Power 额定功率 | W | 200 | 400 | 200 | 400 |
| Rated Torque 额定力矩 | N.m | 0.637 | 1.27 | 0.637 | 1.27 |
| Rated Speed 额定转速 | rpm | 3000 | 3000 | 3000 | 3000 |
| Maximum Torque 最大力矩 | N.m | 1.911 | 3.81 | 1.911 | 3.81 |
| Maximum Speed 最大转速 | rpm | 6000 | 6000 | 4500 | 4500 |
| Rated Current 额定电流 | A | 1.4 | 2.7 | 5.5 | 11 |
| Maximum Current 最大电流 | A | 4.2 | 8.1 | 16.5 | 33 |
| Torque Coefficient 力矩常数 | N.m/A | 0.50 | 0.51 | 0.12 | 0.12 |
| Rotor Inertia 转子惯量 | Kg*cm ² | 0.15 | 0.21 | 0.15 | 0.21 |
| Back EMF 反电势常数 | V/Krpm | 30 | 31 | 7.4 | 7.4 |
| Insulation Class 热绝缘等级 | Class | F | | F | |
| Safety Class 防护等级 | / | IP65(出轴端除外) | | IP65(出轴端除外) | |
| Encoder Type 编码器类型 | / | 增量式或绝对值编码器 | | 增量式或绝对值编码器 | |
| Environment 运行环境 | / | -20°C to 40°C humidity < 90% | | -20°C to 40°C humidity < 90% | |
| Weight 重量 | Kg | 0.8 | 1.2 | 0.8 | 1.2 |
| Brake Rated Voltage 抱闸额定电压 | VDC | 24 | 24 | 24 | 24 |
| Without Brake Length 不带抱闸长度 | mm | 79.5 | 101.5 | 79.5 | 101.5 |
| With Brake Length 带抱闸长度 | mm | 114.5 | 136.5 | 114.5 | 136.5 |

Dimensions in mm



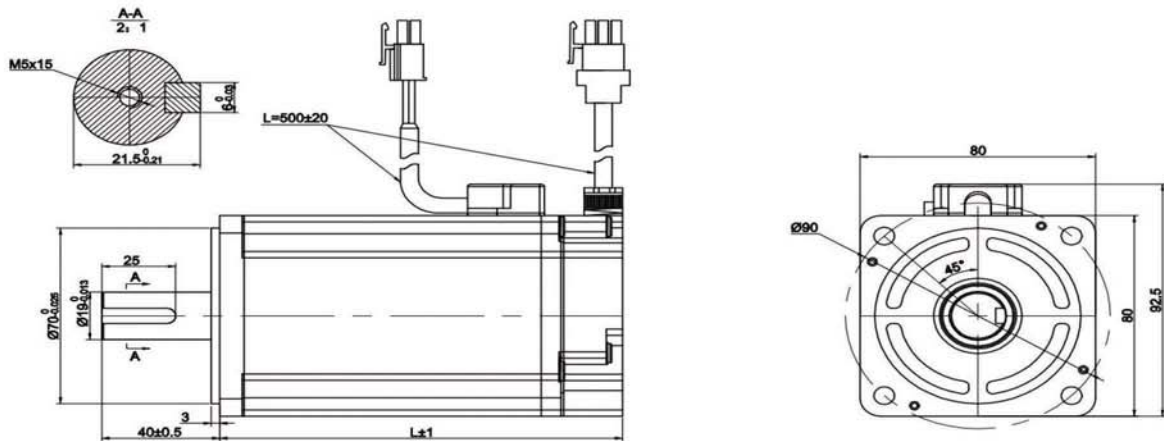
80SB Series



Performance Data

| Model | Units | 80S02430B3系列 | 80S03230B3系列 | 80S02430B5系列 | 80S03230B5系列 |
|-----------------------------|--------------------|------------------------------|--------------|------------------------------|--------------|
| Poles 极对数 | / | 5 | 5 | 5 | 5 |
| Rated Voltage 额定电压 | VAC | 220 | | | 48VDC |
| Rated Power 额定功率 | W | 750 | 1000 | 750 | 1000 |
| Rated Torque 额定力矩 | N.m | 2.39 | 3.18 | 2.39 | 3.18 |
| Rated Speed 额定转速 | rpm | 3000 | 3000 | 3000 | 3000 |
| Maximum Torque 最大力矩 | N.m | 7.2 | 10.4 | 7.2 | 10.4 |
| Maximum Speed 最大转速 | rpm | 6000 | 6000 | 4000 | 4000 |
| Rated Current 额定电流 | A | 4.5 | 7 | 18.5 | 24.5 |
| Maximum Current 最大电流 | A | 13.5 | 21 | 55.5 | 73.5 |
| Torque Coefficient 扭矩常数 | N.m/A | 0.58 | 0.50 | 0.14 | 0.14 |
| Rotor Inertia 转子惯量 | Kg*cm ² | 0.57 | 0.75 | 0.57 | 0.75 |
| Back E.M.F 反电势常数 | V/Krpm | 35 | 30 | 8.5 | 8.5 |
| Insulation Class 热绝缘等级 | Class | F | | F | |
| Safety Class 防护等级 | / | IP65(出轴端除外) | | IP65(出轴端除外) | |
| Encoder Type 编码器类型 | / | 增量式或绝对值编码器 | | 增量式或绝对值编码器 | |
| Environment 运行环境 | / | -20°C to 40°C humidity < 90% | | -20°C to 40°C humidity < 90% | |
| Weight 重量 | Kg | 2.5 | 3.2 | 2.5 | 3.2 |
| Brake Rated Voltage 抱闸额定电压 | VDC | 24 | 24 | 24 | 24 |
| Without Brake Length 不带抱闸长度 | mm | 108.3 | 124.3 | 108.3 | 124.3 |
| With Brake Length 带抱闸长度 | mm | 152.1 | 168.1 | 152.1 | 168.1 |

Dimensions in mm



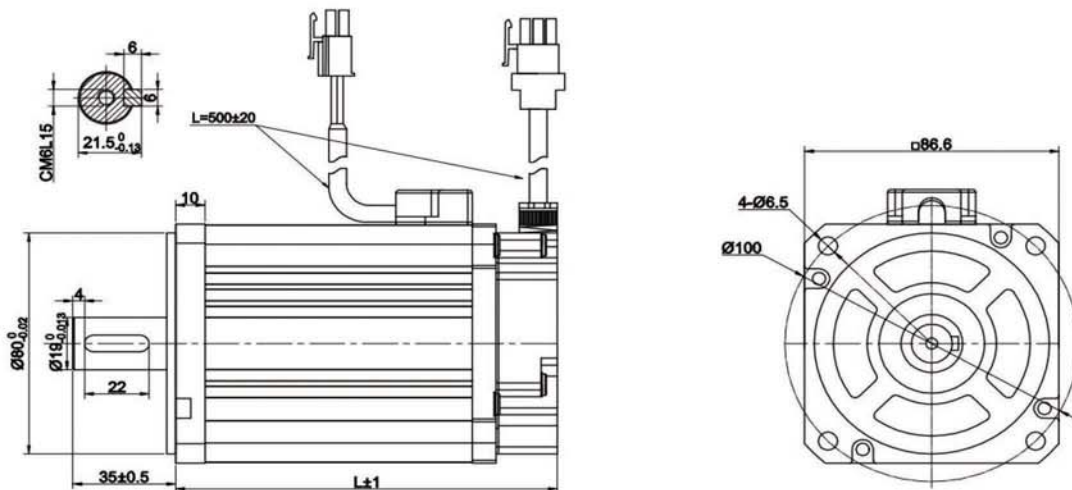
90SM Series



Performance Data

| Model | Units | 90S02430A3系列 | 90S02430A3系列 |
|-------------------------|-------------------|--------------|------------------------------|
| Poles 极对数 | / | | 4 |
| Rated Voltage 额定电压 | VAC | | 220 |
| Rated Power 额定功率 | W | 750 | 1000 |
| Rated Torque 额定力矩 | N.m | 2.39 | 3.82 |
| Rated Speed 额定转速 | rpm | 3000 | 2500 |
| Maximum Torque 最大力矩 | N.m | 7.2 | 9.55 |
| Maximum Speed 最大转速 | rpm | 6000 | 3500 |
| Rated Current 额定电流 | A | 4.5 | 4.2 |
| Maximum Current 最大电流 | A | 13.5 | 10.5 |
| Torque Coefficient 扭矩常数 | N.m/A | 0.579 | 0.9924 |
| Rotor Inertia 转子惯量 | Kg*m ² | 0.00025 | 0.00032 |
| Back E.M.F 反电势常数 | V/Krpm | 35 | 60 |
| Insulation Class 热绝缘等级 | Class | | F |
| Safety Class 防护等级 | / | | IP54 |
| Encoder Type 编码器类型 | / | | 增量式或绝对值编码器 |
| Environment 运行环境 | / | | -20°C to 40°C humidity < 90% |
| Weight 重量 | Kg | 3.1 | 4.2 |
| Length 长度 | mm | 130 | 160 |

Dimensions in mm



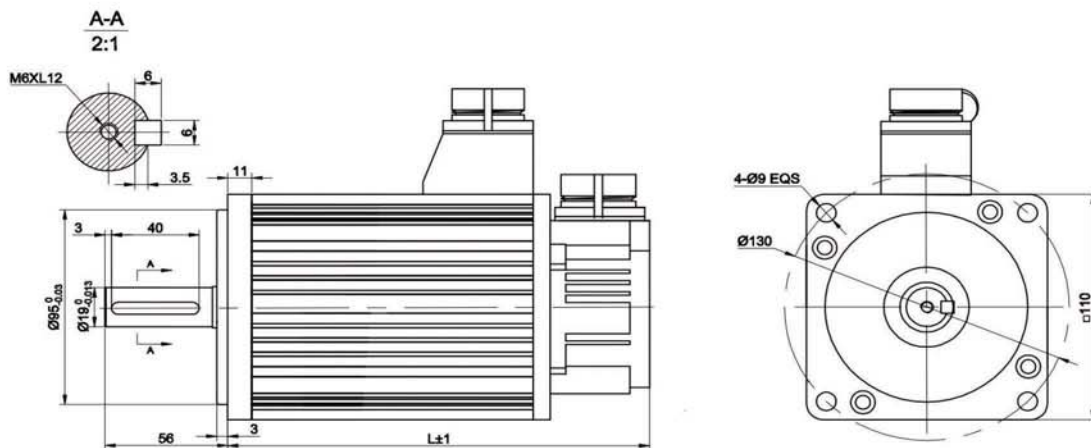
110SA Series



Performance Data

| Model | Units | 110S02030A3系列 | 110S04030A3系列 | 110S06030A3系列 |
|-------------------------|-------------------|---------------|------------------------------|---------------|
| Poles 极对数 | / | | 4 | |
| Rated Voltage 额定电压 | VAC | | 220 | |
| Rated Power 额定功率 | W | 600 | 1200 | 1800 |
| Rated Torque 额定力矩 | N.m | 2 | 4 | 6 |
| Rated Speed 额定转速 | rpm | 3000 | 3000 | 3000 |
| Maximum Torque 最大力矩 | N.m | 6 | 12 | 18 |
| Maximum Speed 最大转速 | rpm | 4000 | 4000 | 3600 |
| Rated Current 额定电流 | A | 2.5 | 5 | 6 |
| Maximum Current 最大电流 | A | 7.5 | 15 | 18 |
| Torque Coefficient 扭矩常数 | N.m/A | 0.92624 | 0.89316 | 0.09924 |
| Rotor Inertia 转子惯量 | Kg*m ² | 0.00031 | 0.00054 | 0.00076 |
| Back E.M.F 反电势常数 | V/Krpm | 56 | 54 | 60 |
| Insulation Class 热绝缘等级 | Class | | F | |
| Safety Class 防护等级 | / | | IP54 | |
| Encoder Type 编码器类型 | / | | 增量式或绝对值编码器 | |
| Environment 运行环境 | / | | -20°C to 40°C humidity < 90% | |
| Weight 重量 | Kg | 4.5 | 6 | 7.9 |
| Length 长度 | mm | 159 | 189 | 219 |

Dimensions in mm



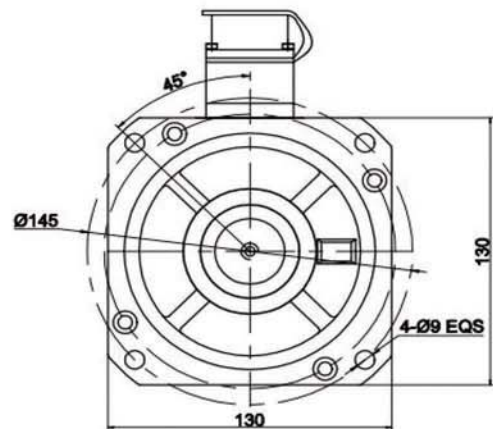
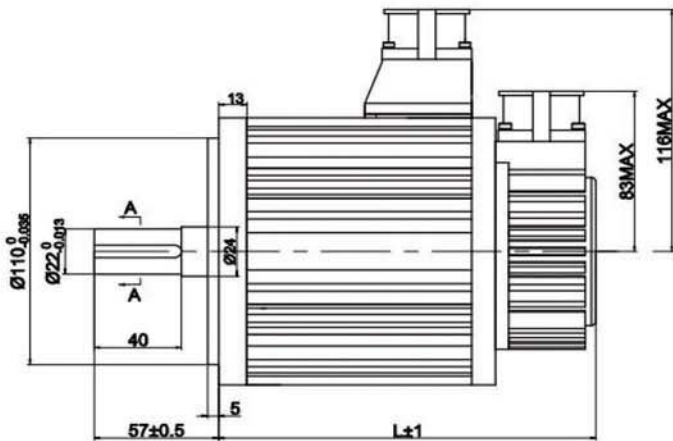
130SA Series



Performance Data

| Model | Units | 130S04025A3 系列 | 130S05020A3 系列 | 130S07725A3 系列 | 130S10025A3 系列 | 130S15025A3 系列 |
|-------------------------|-------------------|-------------------|-------------------|------------------------------|-------------------|-------------------|
| Poles 极对数 | / | | | 4 | | |
| Rated Voltage 额定电压 | VAC | | | 220 | | |
| Rated Power 额定功率 | W | 1000 | 1000 | 2000 | 2600 | 3800 |
| Rated Torque 额定力矩 | N.m | 4 | 5 | 7.7 | 10 | 15 |
| Rated Speed 额定转速 | rpm | 2500 | 2000 | 2500 | 2500 | 2500 |
| Maximum Torque 最大力矩 | N.m | 12 | 15 | 22 | 25 | 30 |
| Maximum Speed 最大转速 | rpm | 3000 | 2800 | 3200 | 3100 | 3300 |
| Rated Current 额定电流 | A | 3.7 | 4.2 | 7.5 | 9.5 | 14.9 |
| Maximum Current 最大电流 | A | 12 | 12.6 | 22.5 | 23.8 | 29.8 |
| Torque Coefficient 扭矩常数 | N.m/A | 1.19088 | 1.30666 | 1.12472 | 1.1578 | 1.10818 |
| Rotor Inertia 转子惯量 | Kg*m ² | 0.00085 | 0.00106 | 0.00153 | 0.00194 | 0.00277 |
| Back E.M.F 反电势常数 | V/Krpm | 72 | 79 | 68 | 70 | 67 |
| Insulation Class 热绝缘等级 | Class | | | F | | |
| Safety Class 防护等级 | / | | | IP54 | | |
| Encoder Type 编码器类型 | / | | | 增量式或绝对值编码器 | | |
| Environment 运行环境 | / | | | -20°C to 40°C humidity < 90% | | |
| Weight 重量 | Kg | 6.2 | 6.6 | 8.3 | 10.2 | 12.6 |
| Length 长度 | mm | 166 | 171 | 192 | 213 | 241 |

Dimensions in mm



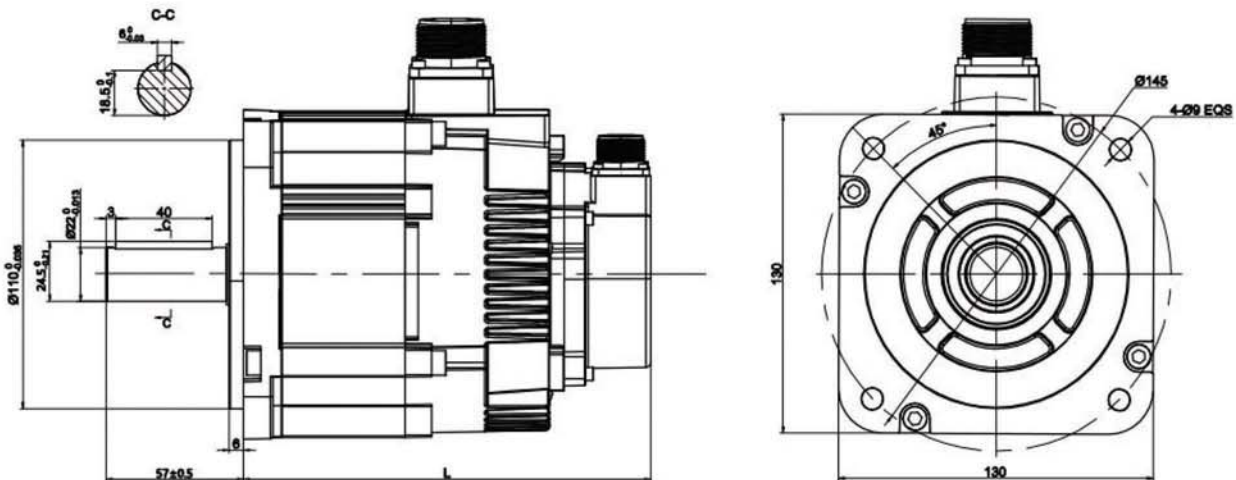
130SF Series



Performance Data

| Model | Units | 130S05015F 3系列 | 130S08015F 3系列 | 130S11015F 3系列 | 130S14015F 3系列 | 130S05015F 5系列 | 130S08015F 5系列 | 130S11015F 5系列 | 130S14015F 5系列 |
|-----------------------------|--------------------|------------------------------|-------------------|-------------------|-------------------|------------------------------|-------------------|-------------------|-------------------|
| Poles 极对数 | / | 5 | 5 | 5 | 5 | 5 | 5 | 5 | 5 |
| Rated Voltage 额定电压 | VAC | 220 | | | | 48VDC | | | |
| Rated Power 额定功率 | W | 850 | 1300 | 1800 | 2300 | 850 | 1300 | 1800 | 2300 |
| Rated Torque 额定力矩 | N.m | 5.39 | 8.34 | 11.5 | 14.6 | 5.39 | 8.34 | 11.5 | 14.6 |
| Rated Speed 额定转速 | rpm | 1500 | 1500 | 1500 | 1500 | 1500 | 1500 | 1500 | 1500 |
| Maximum Torque 最大力矩 | N.m | 12.5 | 20.85 | 28.75 | 36.5 | 12.5 | 20.85 | 28.75 | 36.5 |
| Maximum Speed 最大转速 | rpm | 4000 | 3800 | 3800 | 2600 | 1900 | 1900 | 1900 | 1900 |
| Rated Current 额定电流 | A | 7.1 | 10.6 | 14.7 | 12.7 | 22.5 | 35.2 | 48 | 61.7 |
| Maximum Current 最大电流 | A | 17.75 | 26.5 | 36.75 | 31.75 | 56.25 | 88 | 120 | 154 |
| Torque Coefficient 扭矩常数 | N.m/A | 0.827 | 0.86 | 0.86 | 1.257 | 0.264 | 0.264 | 0.264 | 0.264 |
| Rotor Inertia 转子惯量 | Kg*cm ² | 8.76 | 10.95 | 13.14 | 15.76 | 8.76 | 10.95 | 13.14 | 15.76 |
| Back E.M.F 反电势常数 | V/Krpm | 50 | 52 | 52 | 76 | 16 | 16 | 16 | 16 |
| Insulation Class 热绝缘等级 | Class | F | F | F | F | F | F | F | F |
| Safety Class 防护等级 | / | IP65(出轴端除外) | | | | IP65(出轴端除外) | | | |
| Encoder Type 编码器类型 | / | 增量式或绝对值编码器 | | | | 增量式或绝对值编码器 | | | |
| Environment 运行环境 | / | -20°C to 40°C humidity < 90% | | | | -20°C to 40°C humidity < 90% | | | |
| Weight 重量 | Kg | 5.5 | 6.3 | 7.1 | 7.9 | 6.5 | 7.3 | 8.1 | 8.9 |
| Brake Rated Voltage 抱闸额定电压 | VDC | 24 | | | | 24 | | | |
| Without Brake Length 不带抱闸长度 | mm | 140 | 160 | 180 | 200 | 140 | 160 | 180 | 200 |
| With Brake Length 带抱闸长度 | mm | 169 | 189 | 209 | 229 | 169 | 189 | 209 | 229 |

Dimensions in mm



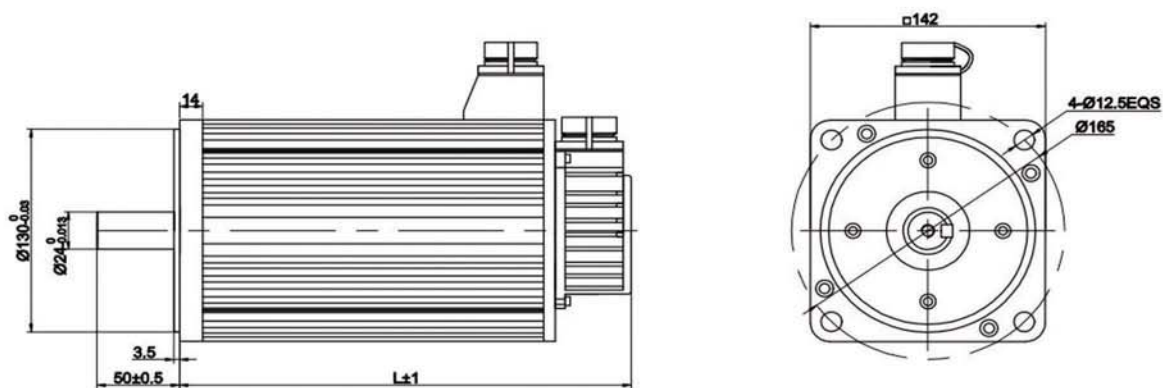
142SA Series



Performance Data

| Model | Units | 142S2010A3系列 | 142S2020A3系列 |
|-------------------------|-------------------|------------------------------|--------------|
| Poles 极对数 | / | | 4 |
| Rated Voltage 额定电压 | VAC | | 220 |
| Rated Power 额定功率 | W | 2100 | 4200 |
| Rated Torque 额定力矩 | N.m | 20 | 20 |
| Rated Speed 额定转速 | rpm | 1000 | 2000 |
| Maximum Torque 最大力矩 | N.m | 40 | 35 |
| Maximum Speed 最大转速 | rpm | 1300 | 1300 |
| Rated Current 额定电流 | A | 7.9 | 18.5 |
| Maximum Current 最大电流 | A | 15.8 | 32.4 |
| Torque Coefficient 扭矩常数 | N.m/A | 2.78 | 1.19 |
| Rotor Inertia 转子惯量 | Kg*m ² | 0.0035 | 0.0035 |
| Back E.M.F 反电势常数 | V/Krpm | 168 | 72 |
| Insulation Class 热绝缘等级 | Class | F | F |
| Safety Class 防护等级 | / | IP54 | IP54 |
| Encoder Type 编码器类型 | / | 光电增量编码器或旋转变压器 | |
| Environment 运行环境 | / | -20°C to 40°C humidity < 90% | |
| Weight 重量 | Kg | 18 | 18 |
| Length 长度 | mm | 273mm | 273mm |

Dimensions in mm





Sales Office:

Address: #211, Building 3, Zijin LianHe Square, 155 LongPan Road,
Nanjing, China
P.C.: 210037
Tel: 0086-25-85580969/85580921/85580926
Fax: 0086-25-85580981
Email: sales@3xmotion.com

销售部门:

地址: 江苏省南京市玄武区龙蟠路 155 号紫金联合立方广场 3
幢 211 室
邮编: 210037
电话: 025-85580969/85580921/85580926
传真: 025-85580981
Email: sales@3xmotion.com

Factory in Changzhou:

Address: 218 Fu Min Road, Qi Shu Yan Economic Development Zone,
ChangZhou P.R. China.
Tel: 0086-519-88373007

常州工厂:

地址: 江苏省常州市戚墅堰经开区富民路 218 号
电话: 0519-88373007

Factory in Nanjing:

Address: BUILDING #4, INDUSTRY CENTRE, HONGLAN TOWN, LISHUI,
NANJING, P.R.CHINA
Tel: 0086-25-85580921

南京工厂:

地址: 江苏省南京市溧水区洪蓝镇工业集中区 (明辉创业园)
4 幢
电话: 025-85580921